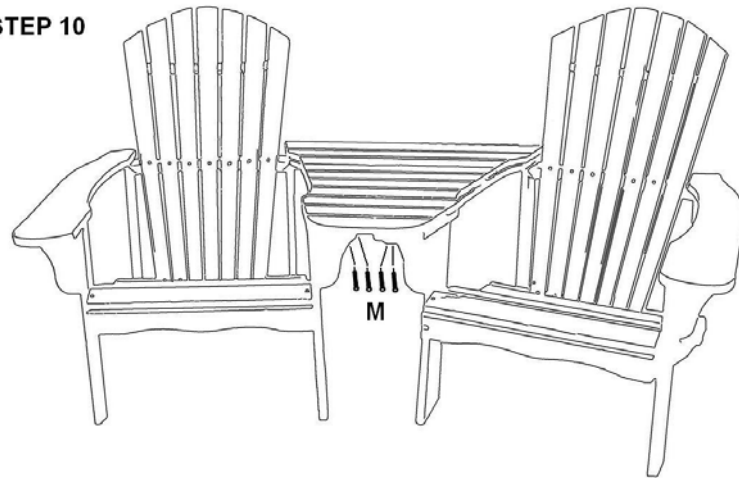


ADIRONDACK TETE-A-TETE ASSEMBLY AND CARE INSTRUCTIONS

For Sku # 273-0041 Model# 82030

STEP 10



CONTINUED FROM PREVIOUS PAGE

STEP 10

Set your chairs upright and position the middle table (O) between them. From underneath, attach the table to the arms using four 4 x 30mm wood screws (M). (NOTE: There are no pre-drilled holes in the arms. The screws will self-thread into the wood.)

Square up the chair and completely tighten all fasteners and enjoy your new furniture!

Thank You for your purchase of a finely crafted piece of furniture from Decko Products. The following contains instructions for assembly as well as care and maintenance instructions. Please take a moment to completely read and familiarize yourself with this information. You will then be ready to assemble your furniture. If you have any questions regarding your purchase, please contact us at 1-800-495-9278

TOOLS REQUIRED

- Phillips Head Screwdriver
- Adjustable wrench

NOTE: It is **NOT** recommended to use power tools for assembly. These types of tools may cause over tightening and damage to your chair.

ASSEMBLY TIPS

- Carefully read all of the steps and acquaint yourself with the wood parts and fastener sizes before starting assembly.
- Separate fasteners by size before starting assembly
- During assembly all hardware should be **semi-tightened** until the final step

Parts List & Hardware

Item	Qty	Description
A	2	Back Assembly
B	2	Seat Assembly
C	2	Left Legs
D	1	Left Arm for Chair #1
E	2	Right Legs
F	1	Right Arm for Chair #2
G	1	Left Arm for Chair #2
H	1	Right Arm for Chair #1
I	4	Back Supports
J	20	Bolt - 6mm x 50mm
K	20	Washer - 6mm
L	20	Nut - 6mm
M	30	Wood Screw - 4mm x 30mm
N	4	Wood Screw - 5mm x 60mm
O	1	Middle Table

CARE & MAINTENANCE

FINISHING TIPS (For unfinished wood)

Your Decko Woods furniture is made from high quality, select grade fir. It is naturally resistant to rot and decay. Proper finishing will help assure the beauty and durability of your chair. If you choose to paint your chair, you should use an exterior grade primer followed by a high quality exterior oil or latex based paint. If you choose to have the product retain its natural color, you should apply a natural oil-based stain or preservative annually or as needed. When finishing, make sure you also treat the ends of the wood parts that come in contact with the ground.

If you leave the chair without adding any finish, it will weather to a silver gray color.

Finished wood should be re-sealed annually or as needed. Use a high quality oil-based sealer or stain for best results.

Contact your local paint store, home center or hardware store for other finishing recommendations.

MAINTENANCE

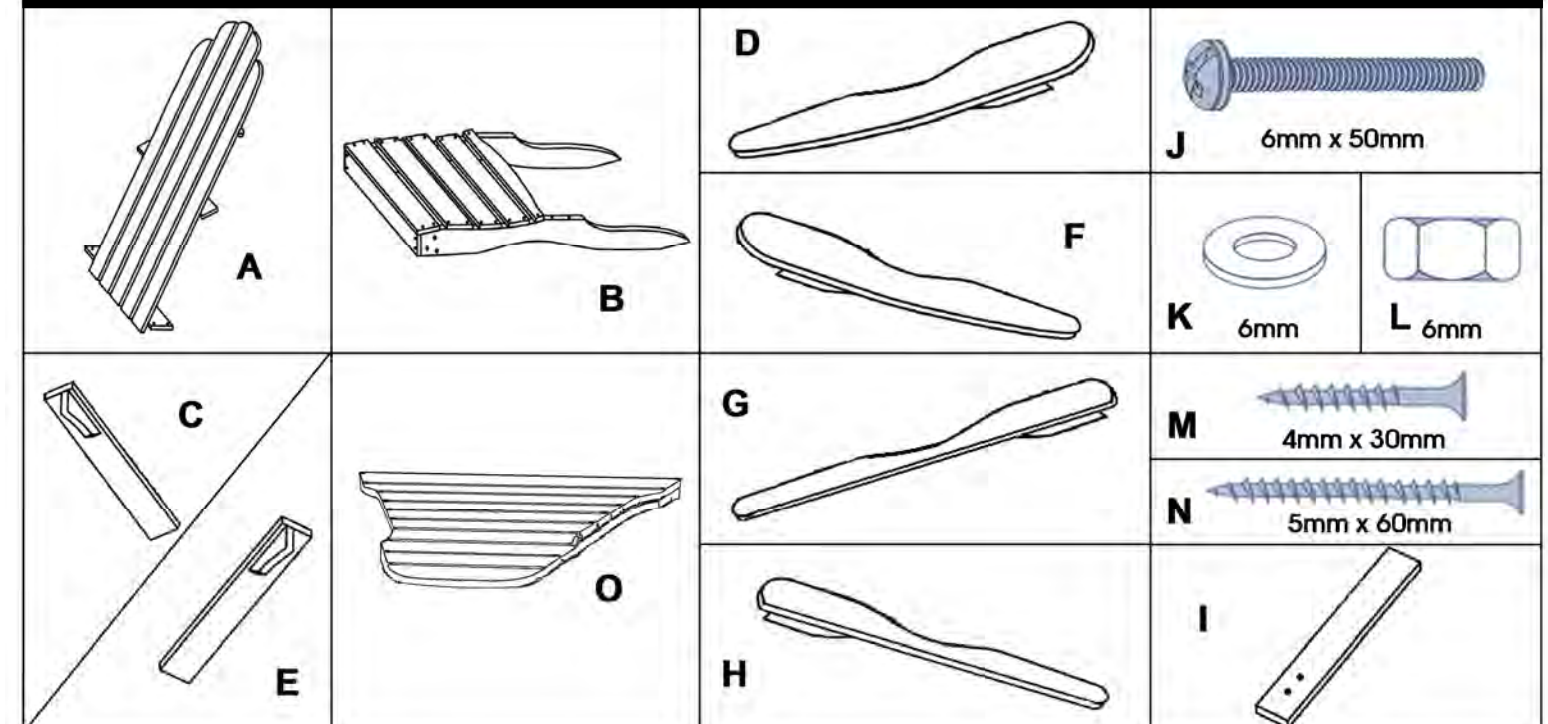
Very little maintenance is required for your furniture. Periodically check all fasteners to make sure they are properly secured. Re-tighten if necessary.

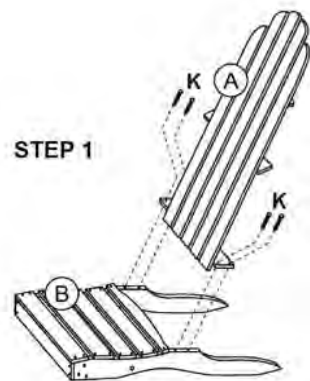
Limited Warranty: This product is covered under the manufacturer's 1 year limited warranty against defects in workmanship and materials. If your Backyard Creations® furniture fails structurally during normal use within one year of purchase, the manufacturer will repair or replace the defective piece at no charge. The warranty excludes furniture used for commercial purposes, furniture damaged by acts of nature, abuse or lack of proper care or use of improper hardware. Max weight capacity is 250lbs per chair. Proof of purchase (dated register receipt) is required for warranty claims.



Decko Products
 2301 Traffic St. NE
 Minneapolis, MN 55413
 1-800-495-9278

NOTE: Diagrams are not drawn to scale. Construction in diagrams may differ from actual chair.



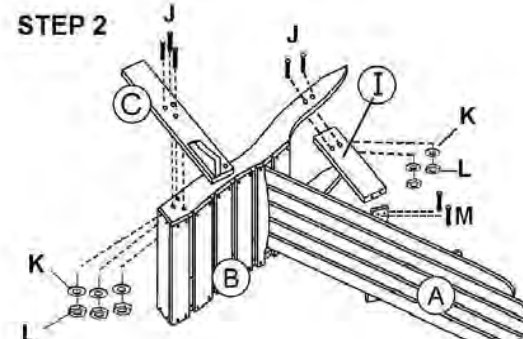
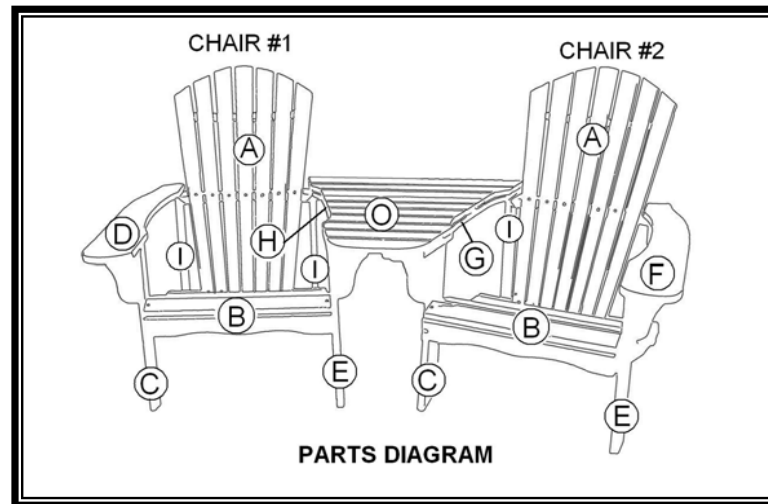


STEP 1 (CHAIRS #1 & #2)

Lay seat assembly (B) flat on the ground. Using four 4 x 30 mm wood screws (M), attach the back assembly (A) to the seat assembly (B).

(NOTE: There are no pre-drilled holes in the seat assembly. The screws will self-thread into the wood).

COMPLETE THIS STEP FOR BOTH CHAIRS



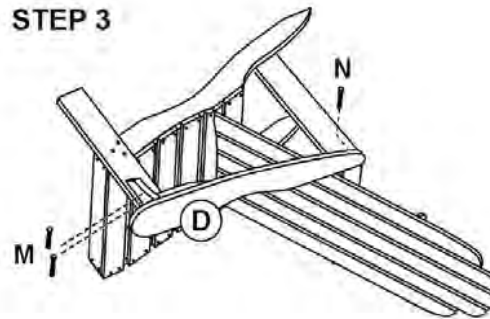
STEP 2

STEP 2 (CHAIR #1)

Carefully lay chair #1 on its side as shown. Using three 6 x 50mm bolts (J) with flat washers (K) and nuts (L) attach the left leg (C) to the seat assembly (B). (The leg will be positioned with the arm brace facing upward and to the front of the seat assembly)

Using two 6 x 50mm bolts (J) with flat washers (K) and nuts (L) attach one back support (I) to the seat assembly. Attach other end of back support to back assembly (A) using two 4 x 30mm wood screws (M)

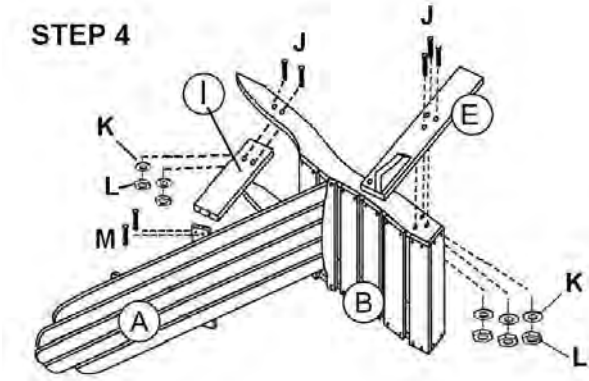
(NOTE: There are no pre-drilled holes in the back support. The screws will self-thread into the wood).



STEP 3

STEP 3 (CHAIR #1)

Using two 4 x 30mm wood screws (M) attach the left arm (D) to the left leg. Attach the back of the arm to the slat support of the back assembly using one 5 x 60mm wood screw (N)

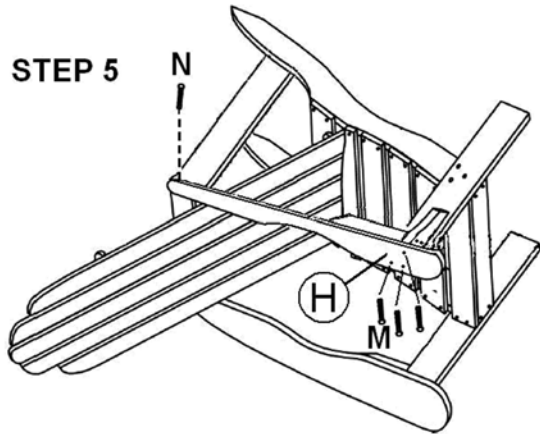


STEP 4

STEP 4 (CHAIR #1)

Turn chair #1 onto its other side as shown. Using three 6 x 50mm bolts (J) with flat washers (K) and nuts (L) attach the right leg (E) to the seat assembly (B). (NOTE: The leg will be positioned with the arm brace facing upward and to the front of the seat assembly)

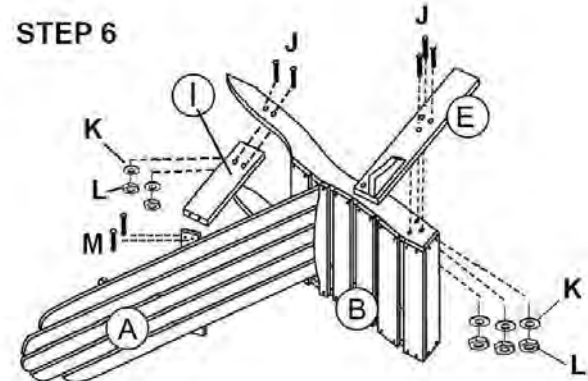
Using two 6 x 50mm bolts (J) with flat washers (K) and nuts (L) attach one back support (I) to the seat assembly (B). Attach the other end of back support to back assembly (A) using two 4 x 30mm wood screws (M) (NOTE: There are no pre-drilled holes in the back support. The screws will self-thread into the wood).



STEP 5

STEP 5 (CHAIR #1)

Using three 4 x 30mm wood screws (M) attach the right arm for chair #1 (H) to the right leg (NOTE the orientation of the arm) Attach the back of the arm to the slat support of the back assembly using one 5 x 60mm wood screw (N)



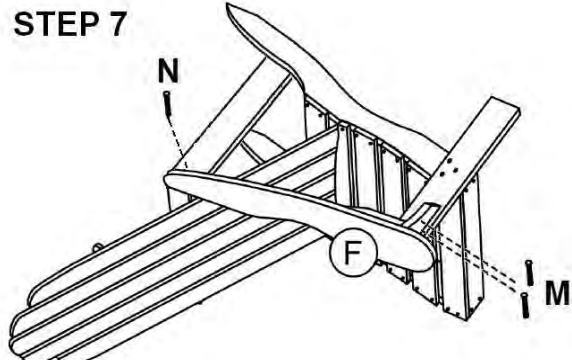
STEP 6

STEP 6 (CHAIR #2)

Carefully lay chair #2 on its side as shown. Using three 6 x 50mm bolts (J) with flat washers (K) and nuts (L) attach the right leg (E) to the seat assembly (B). (The leg will be positioned with the arm brace facing upward and to the front of the seat assembly)

Using two 6 x 50mm bolts (J) with flat washers (K) and nuts (L) attach one back support (I) to the seat assembly (B). Attach the other end of the back support to back assembly (A) using two 4 x 30mm wood screws (M)

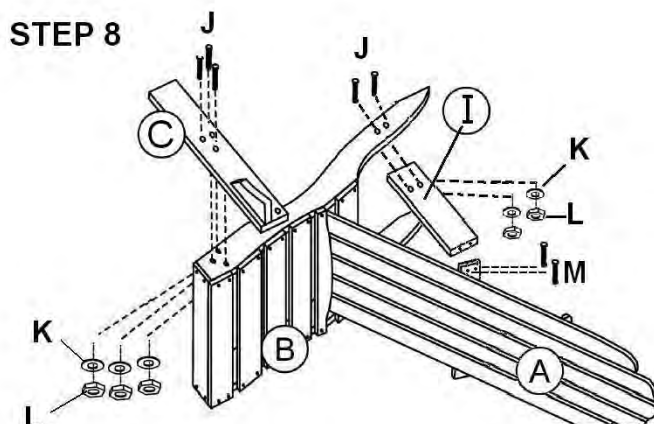
(NOTE: There are no pre-drilled holes in the back support. The screws will self-thread into the wood).



STEP 7

STEP 7 (CHAIR #2)

Using two 4 x 30mm wood screws (M) attach the left arm (D) to the leg. Attach the back of the arm to the slat support of the back assembly using one 5 x 60mm wood screw (N)



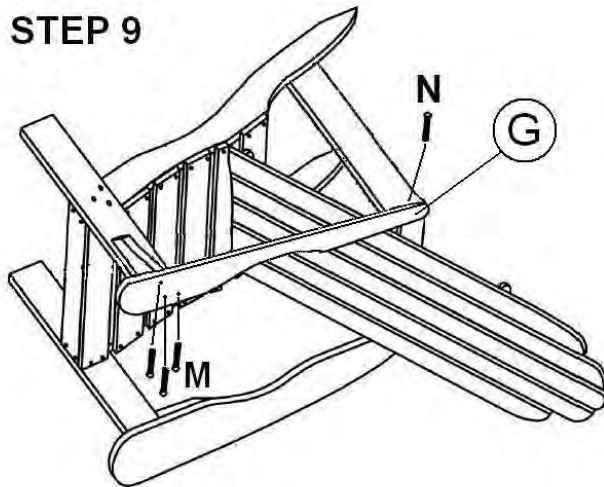
STEP 8

STEP 8 (CHAIR #2)

Turn chair #2 onto its other side as shown. Using three 6 x 50mm bolts (J) with flat washers (K) and nuts (L) attach the left leg (C) to the seat assembly (B). (The leg will be positioned with the arm brace facing upward and to the front of the seat assembly)

Using two 6 x 50mm bolts (J) with flat washers (K) and nuts (L) attach one back support (I) to the seat assembly (B). Attach the other end of back support to back assembly (A) using two 4 x 30mm wood screws (M)

(NOTE: There are no pre-drilled holes in the back support. The screws will self thread into the wood).



STEP 9

STEP 9 (CHAIR #2)

Using three 4 x 30mm wood screws (M) attach the left arm for chair #2 (G) to the left leg. (NOTE the orientation of the arm). Attach the back of the arm to the back support using one 5 x 60mm wood screw (N)

CONTINUED ON NEXT PAGE