

FIGURE 9



STEP 16

Align the drawer glides on the drawer assembly to the drawer mount glides and carefully slide in. Pull the drawer in and out making sure the glides are locked together.

STEP 17

Place 5/8" shelf (L) into place.

Congratulations! The assembly is complete.



2805 Fairview Ave. North
Roseville, MN 55113



ASSEMBLY INSTRUCTIONS

4' WORKBENCH

Model: 01048



For assembly assistance call

800-495-9278

Weekdays: 8:00 a.m. - 5:00 p.m. Central Time

Thank You for purchasing a high quality workbench from Decko Products. If you require any assistance with assembly, please contact us toll free at 1-800-495-9278. Monday through Friday 8:00 a.m. to 5:00 p.m. Central Time.

Tools Needed

- Rubber Mallet or hammer.

Assembly Tips

- Fully read and understand these instructions before starting assembly.
- Group similar parts together.
- If the use of a mallet or hammer is required, use a block or cloth to protect the finish.
- Assemble the workbench on a sturdy surface.
- Make sure the rivets seat fully in the bottom of the keyhole slots.

Do's and Don'ts

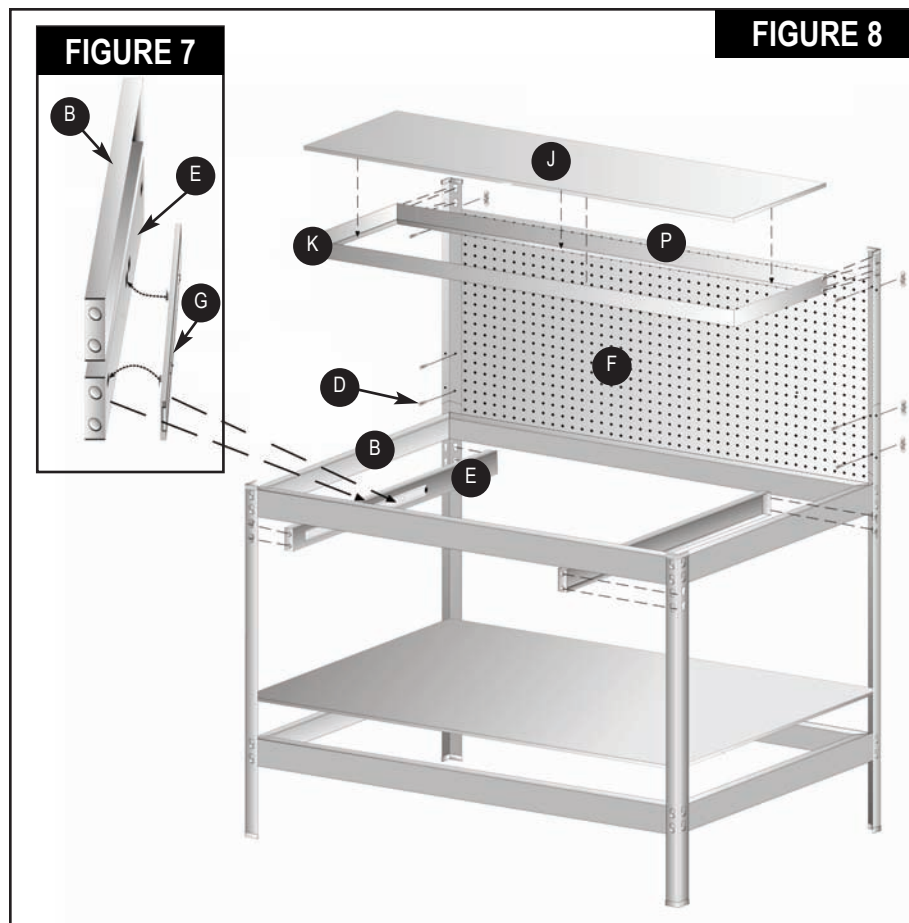
- Do not overload the shelves and/or drawer.
- Store smaller, lighter items on the top shelf and larger, heavier items on the bottom shelf.
- Do not store the workbench outdoors.
- It's highly recommended to seal or paint the wood shelves when they are exposed to humid environments or when they will be subject to grease, oil or moisture contact.

LIMITED WARRANTY AND LIMITATION OF LIABILITY

Decko Products warrants this product free from manufacturing defects for one year from date of purchase. As the sole and exclusive remedy for a breach of this limited warranty, if the product is found by Decko Products to be defective, Decko Products, at its option, will repair or replace the product with an equivalent product. This warranty is not transferable and does not cover wood shelving, chipping or flaking paint, rust, dents, scratches or other damages to the surface of the product. Decko Products is not responsible for consequential, incidental or other damages or losses resulting from product failure.

DECKO PRODUCTS DISCLAIMS ALL OTHER EXPRESS OR IMPLIED WARRANTIES, INCLUDING WARRANTIES OF MERCHANTABILITY OR FITNESS FOR A PARTICULAR PURPOSE.

IMPORTANT NOTICE: Some commercial and residential insurance policies extend coverage for damages incurred by product failure. In most cases, you will need to have possession of the product to support your claim. In the case where you need to retain possession of the product to support a damage claim you submit to your insurance company, Decko Products will exchange the unit once the claim is settled with the insurer.



STEP 11

Attach the outer drawer glide to the 24" drawer mount (E) by pushing in and back. See Figure 7 for larger view.

STEP 12

Attach 48" top shelf beam (P) to the top back keyholes of the rear posts. Make sure the flange is down. Tap into place with rubber mallet if necessary.

STEP 13

Attach top shelf beam assembly (K) to the side keyholes of the rear posts. Make sure the flange is down. Tap into place with rubber mallet if necessary. Place the 3/8" top shelf (J) into place.

STEP 14

Attach the pegboard (F) to the rear of the workbench using the remaining 4 bolts (D) and wing nuts (S). Attach it using the top and bottom holes on the posts. **TIP:** Don't fully tighten the wing nuts at this time. Keeping them a bit loose will help in the alignment of the other bolts.

STEP 15

Remove the bolts and wing nuts from Step 3 and insert through 2nd holes on the posts. Securely tighten all wing nuts.

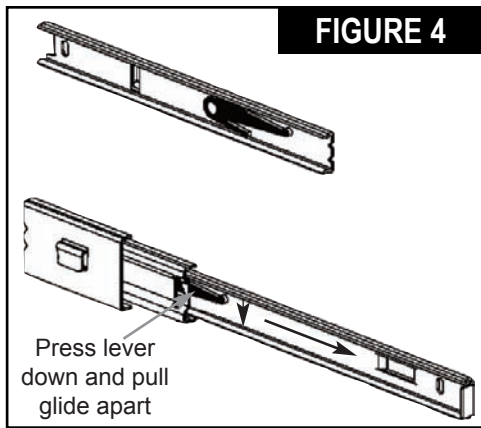


FIGURE 4

STEP 7
The drawer glides (G) must be separated before installing. Separate by fully extending the glides. Press the black lever down and pull the glide apart.

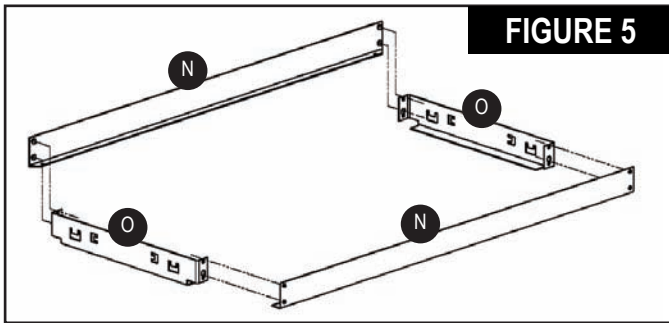


FIGURE 5

STEP 8
Assemble the drawer frame by attaching two 44" drawer beams (N) to two 18" drawer side beams (O).

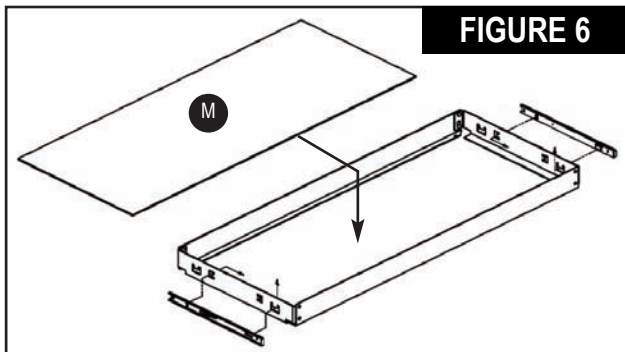
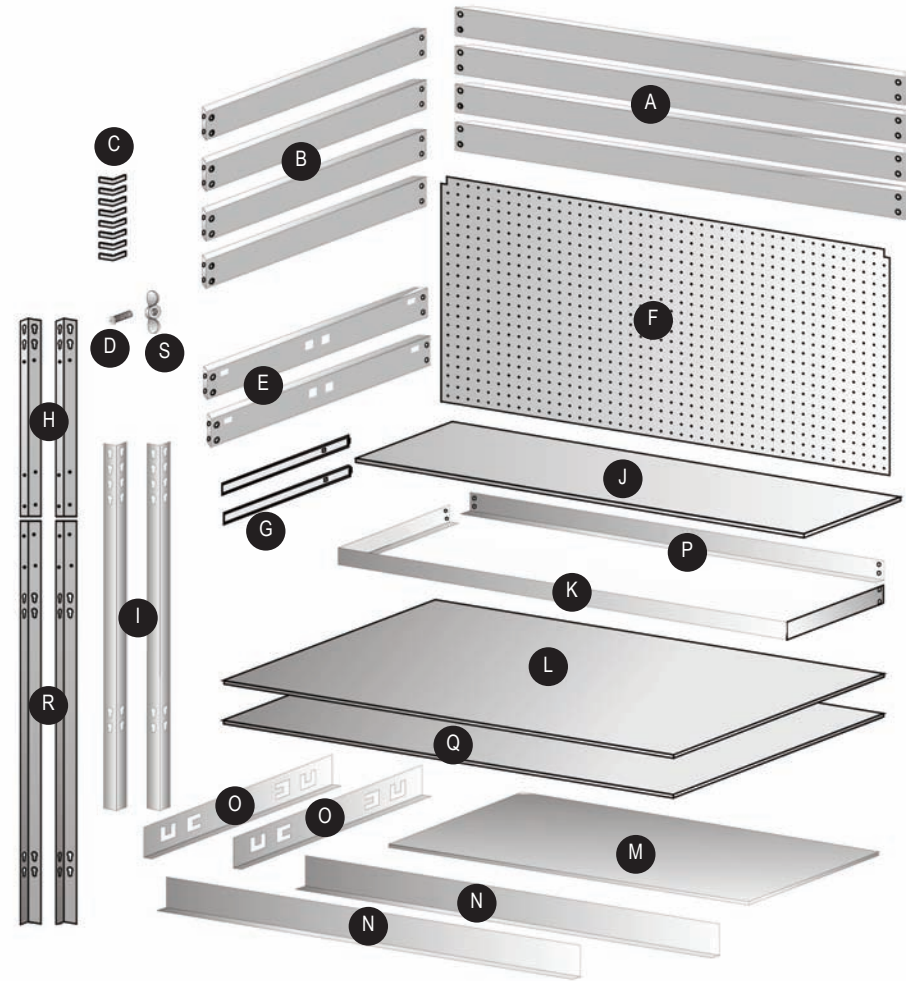


FIGURE 6

STEP 9
Attach inner drawer glides to the sides of the drawer side beams by pushing in and back.

STEP 10
Place 3/8" drawer bottom (M) into drawer frame.



PARTS OVERVIEW

Item	Description	Qty.	Item	Description	Qty.
A	48" Beam	4	J	Top Shelf - 3/8"	1
B	24" Beam	4	K	Shelf Beam Assembly	1
C	Post Caps	8	L	Shelf - Top 5/8"	1
D	Bolts	6	M	Drawer Bottom - 3/8"	1
E	24" Drawer Mount	2	N	44" Drawer Beam	2
F	Peg Board	1	O	18" Drawer Side Beam	2
G	Drawer Glides	2	P	48" Top Shelf Beam	1
H	Rear Post Extensions	2	Q	Shelf - Bottom 3/8"	1
I	Front Posts	2	R	Rear Posts	2
			S	Wing Nuts	6

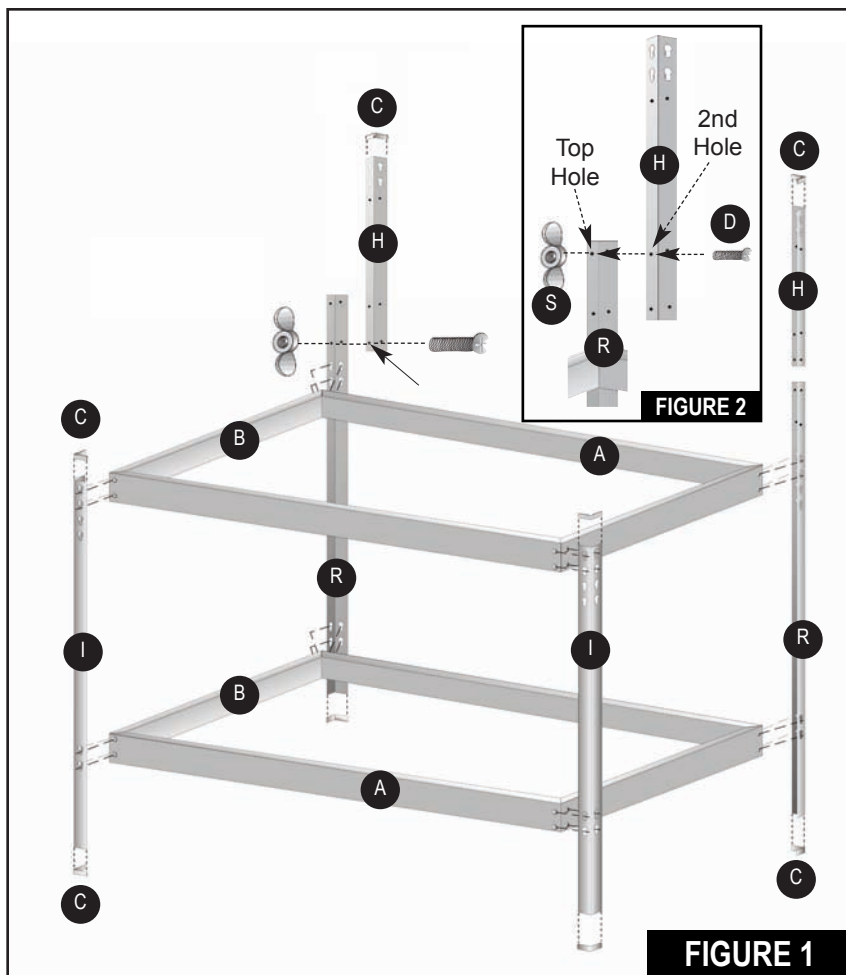


FIGURE 1

STEP 1

Assemble the left side of the workbench by attaching two 24" beams (B) to the front post (I) and back post (R). Be sure to use the 1st & 2nd keyholes on the upper part of the posts. Assemble the right side of the workbench using the same procedure as above. If necessary use a rubber mallet to secure the parts together. Hit the beams as close to the joint as possible to avoid damaging the parts.

STEP 2

Using four 48" beams (A), connect the left and right sides of the workbench together.

STEP 3

Attach the rear post extensions (H) to the rear posts (R) using two 5/8" bolts (D) and wing nuts (S). **NOTE:** Secure the bolts only through the top hole on the bottom post (R) and the 2nd hole on the extension (H). See Figure 2. This is a temporary installation. The bolts and nuts will be removed and used to attach the pegboard in a later step.

STEP 4

Attach the post caps (C) to the bottom and top of all posts.

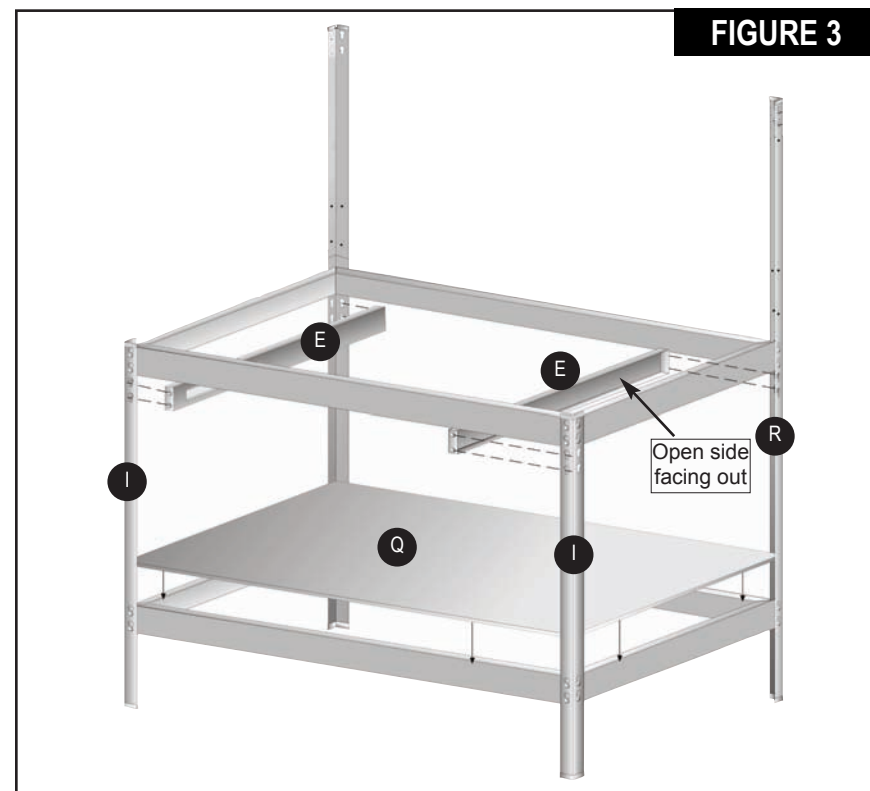


FIGURE 3

STEP 5

Attach the 24" drawer mounts (E) to the posts using the 3rd and 4th keyholes. Be sure that the open side of the drawer mounts are facing out.

STEP 6

Place 3/8" bottom shelf (Q) into place.