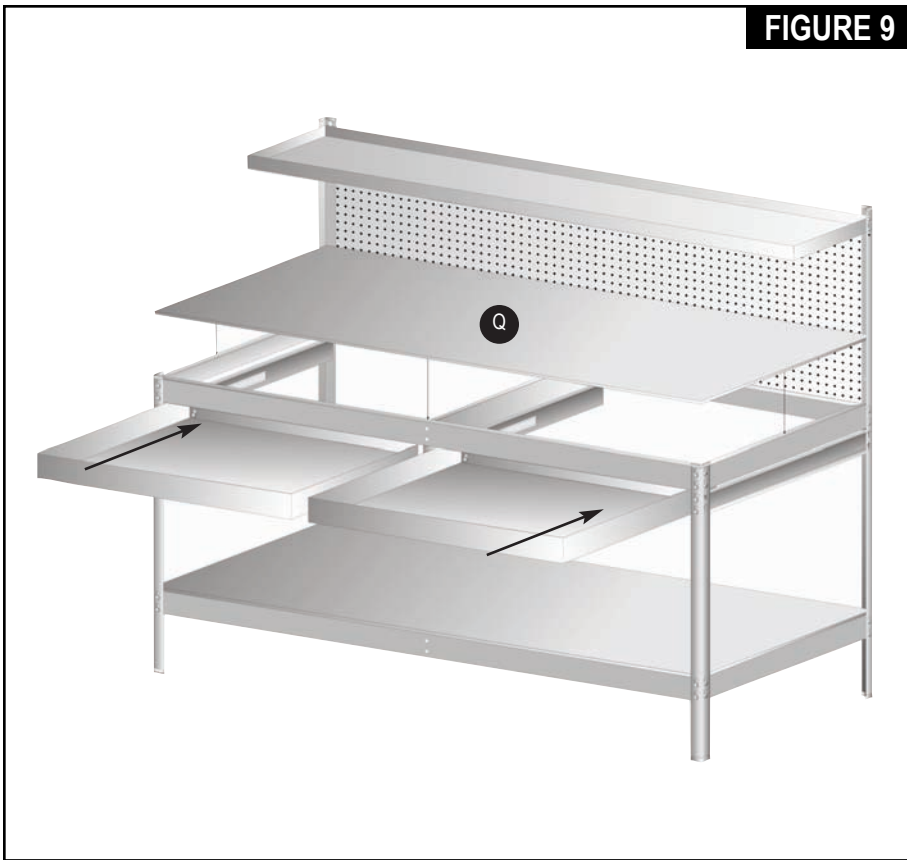


**FIGURE 9**



**STEP 17**

Align the drawer glides on the drawer assembly to the drawer mount glides and carefully slide in. Pull the drawer in and out making sure the glides are locked together.

**STEP 18**

Place 5/8" Work Surface Board (Q) into place.

Congratulations! The assembly is complete.



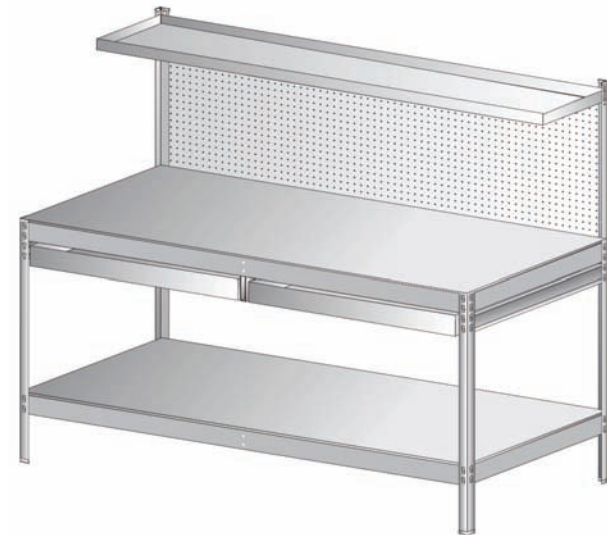
2805 Fairview Ave. North  
Roseville, MN 55113



**ASSEMBLY INSTRUCTIONS**

**6' WORKBENCH**

**Model: 01072**



For assembly assistance call

**800-495-9278**

**Weekdays: 8:00 a.m. - 5:00 p.m. Central Time**

Thank You for purchasing a high quality workbench from Decko Products. If you require any assistance with assembly, please contact us toll free at 1-800-495-9278. Monday through Friday 8:00 a.m. to 5:00 p.m. Central Time.

### **Tools Needed**

- Rubber Mallet or hammer.

### **Assembly Tips**

- Fully read and understand these instructions before starting assembly.
- Group similar parts together.
- If the use of a mallet or hammer is required, use a block or cloth to protect the finish.
- Assemble the workbench on a sturdy surface.
- Make sure the rivets seat fully in the bottom of the keyhole slots.

### **Do's and Don'ts**

- Do not overload the shelves and/or drawers.
- Store smaller, lighter items on the top shelf and larger heavier items on the bottom shelf.
- Do not store the workbench outdoors.
- It's highly recommended to seal or paint the wood shelves when they are exposed to humid environments or when they will be subject to grease, oil or moisture contact.

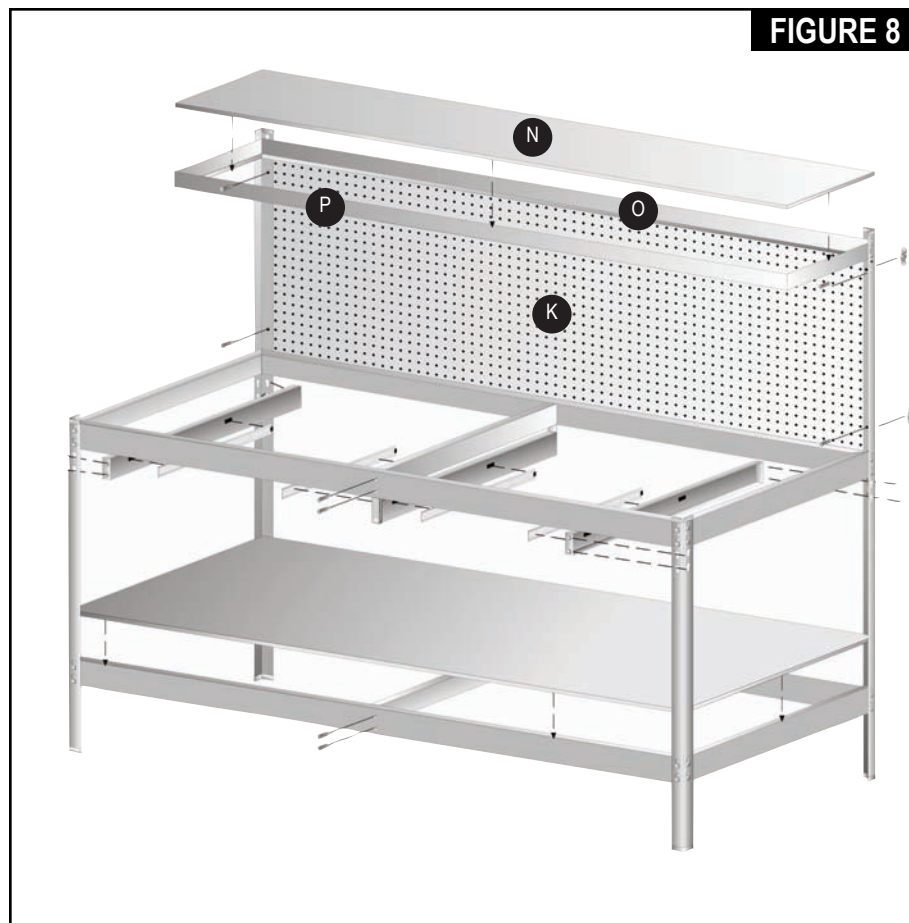
### **LIMITED WARRANTY AND LIMITATION OF LIABILITY**

Decko Products warrants this product free from manufacturing defects for one year from date of purchase. As the sole and exclusive remedy for a breach of this limited warranty, if the product is found by Decko Products to be defective, Decko Products, at its option, will repair or replace the product with an equivalent product. This warranty is not transferable and does not cover wood shelving, chipping or flaking paint, rust, dents, scratches or other damages to the surface of the product. Decko Products is not responsible for consequential, incidental or other damages or losses resulting from product failure.

### **DECKO PRODUCTS DISCLAIMS ALL OTHER EXPRESS OR IMPLIED WARRANTIES, INCLUDING WARRANTIES OF MERCHANTABILITY OR FITNESS FOR A PARTICULAR PURPOSE.**

**IMPORTANT NOTICE:** Some commercial and residential insurance policies extend coverage for damages incurred by product failure. In most cases, you will need to have possession of the product to support your claim. In the case where you need to retain possession of the product to support a damage claim you submit to your insurance company, Decko Products will exchange the unit once the claim is settled with the insurer.

**FIGURE 8**



### **STEP 14**

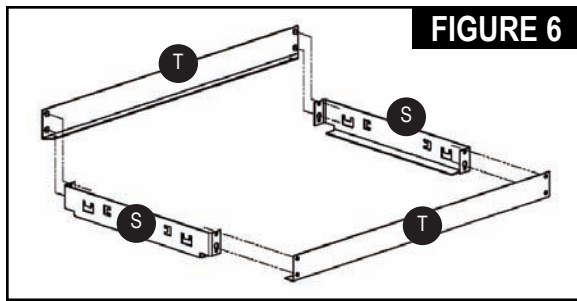
Attach the 72" Top Shelf Beam (O) to the top back keyholes of the rear posts. Make sure the flange is facing down. Tap into place with rubber mallet if necessary.

### **STEP 15**

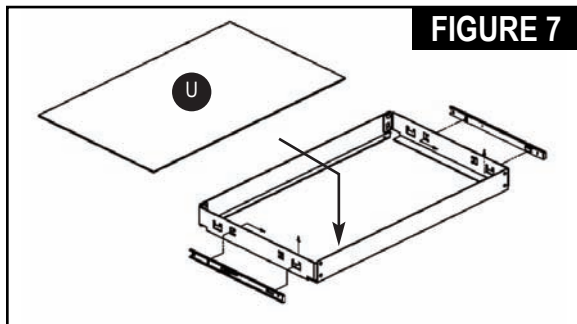
Attach Top Shelf Assembly (P) to the side keyholes of the rear posts. Make sure the flange is facing down. Tap into place with rubber mallet if necessary. Place the 3/8" Top Shelf Board (N) into place.

### **STEP 16**

Attach the Pegboard (K) to the rear of the workbench using 4 Bolts (F) and Wing Nuts (G). Start by aligning the top holes in the rear posts with the pegboard and work your way to the bottom holes. **TIP:** Don't fully tighten the wing until all bolts are in place. Keeping them a bit loose will help in the alignment of the pegboard to the posts.

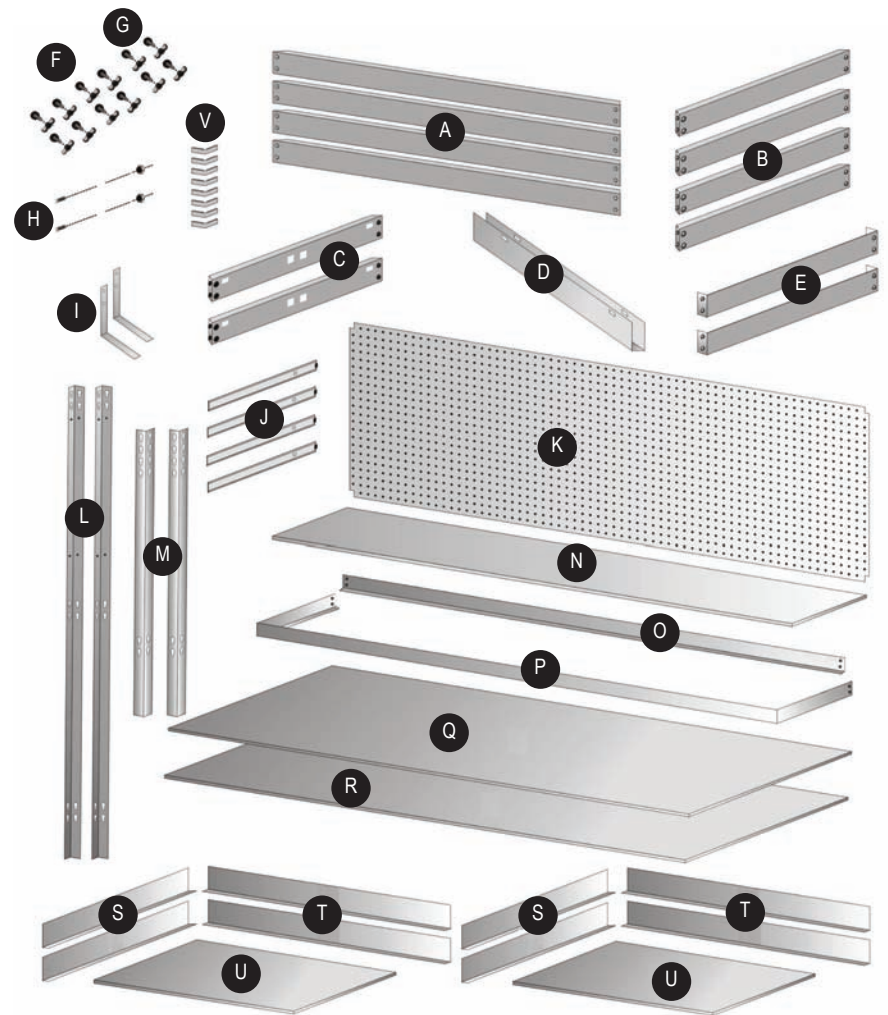


**STEP 11**  
Assemble the drawer frames by attaching two Drawer Beams (T) to two 18" Drawer Side Beams (S).



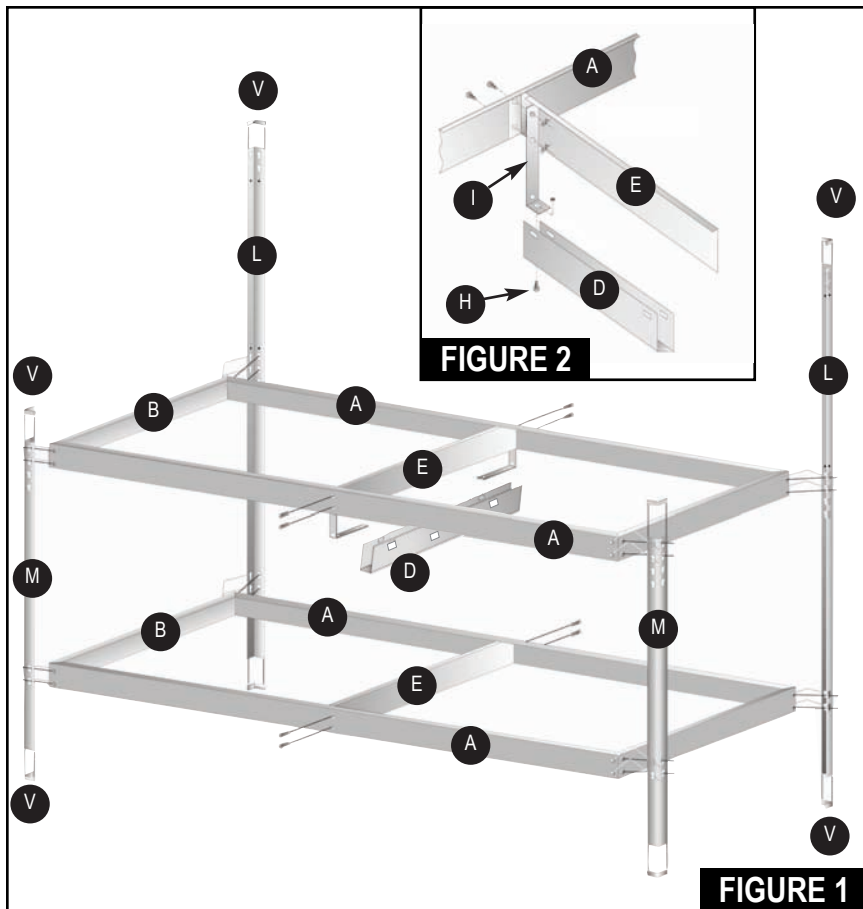
**STEP 12**  
Attach inner drawer glides to the sides of the drawer side beams by pushing in and back.

**STEP 13**  
Place 3/8" Drawer Bottom (U) into drawer frame.



### PARTS OVERVIEW

Item	Description	Qty.	Item	Description	Qty.
A	72" Beam	4	L	Rear Posts	2
B	24" Beam	4	M	Front Posts	2
C	24" Drawer Mount	2	N	3/8" Top Shelf Board	1
D	Drawer Mount Channel	1	O	Top Shelf Beam	1
E	Center Support	2	P	Top Shelf Assembly	1
F	Bolts	12	Q	5/8" Work Surface Board	1
G	Wing Nuts	12	R	3/8" Bottom Shelf Board	1
H	Bolt & Nut	2	S	18" Drawer Side Beam	4
I	L-Brackets	2	T	Front/Rear Drawer Beam	4
J	Drawer Glides	2 sets	U	3/8" Drawer Bottom	2
K	Back Peg Board	1	V	Post Caps	8



**FIGURE 2**

**FIGURE 1**

**STEP 1**  
Assemble the left side of the workbench by attaching two 24" Beams (B) to the Front Post (M) and Back Post (L). Be sure to use the 1st & 2nd keyholes on the upper part of the posts. Assemble the right side of the workbench using the same procedure as above. If necessary use a rubber mallet to secure the parts together. Hit the beams as close to the joint as possible to avoid damaging the parts.

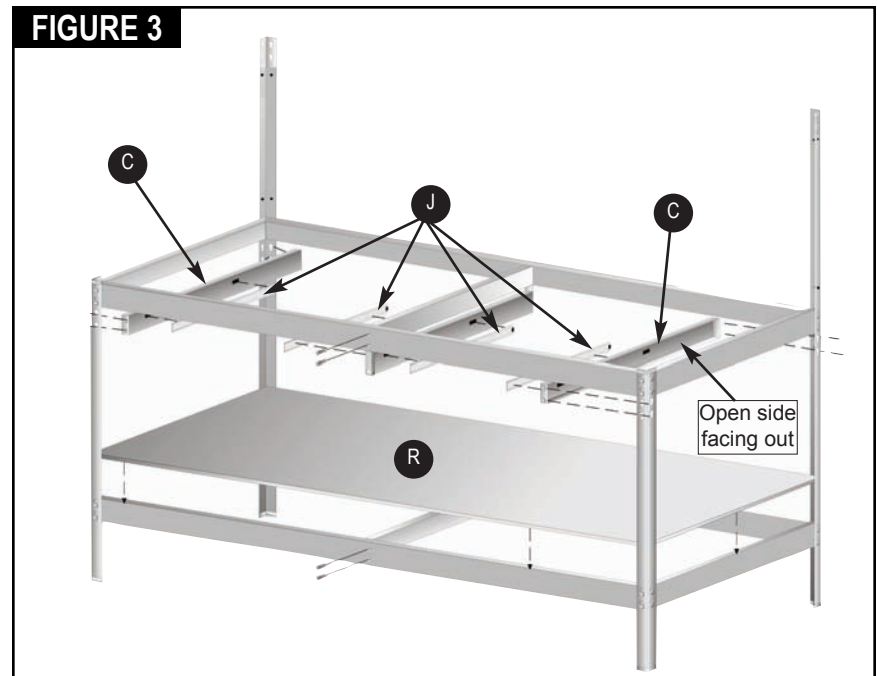
**STEP 2**  
Using four 72" Beams (A), connect the left and right sides of the workbench together.

**STEP 3**  
Attach the lower Center Support (E) to the 72" Front & Rear beams (A) using four Bolts (F) and Wing Nuts (G). **NOTE:** Make sure the flange on the Center Support is facing up.

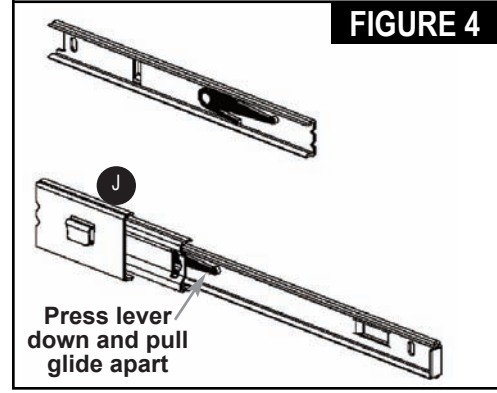
**STEP 4**  
Attach the upper Center Support (E) to the 72" Front & Rear beams (A) using four Bolts (F). **DO NOT** fasten the wing nuts in this step. See figure 2 for detail.

**STEP 5**  
Attach the L-Brackets (I) through the Bolts assembled in step 4 and fasten with four Wing Nuts (G).

**STEP 6**  
Secure the Drawer Mount Channel (D) to the L-Brackets with Bolts & Nuts (H)

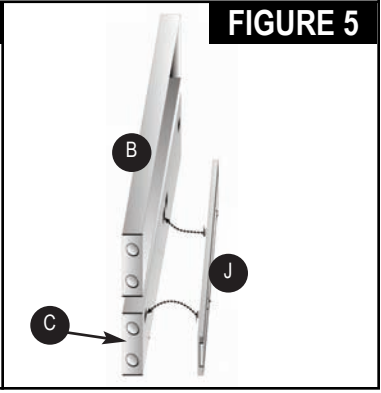


**FIGURE 3**



**FIGURE 4**

Press lever down and pull glide apart



**FIGURE 5**

**STEP 7**  
Attach the 24" Drawer Mounts (C) to the front and rear posts using the 3rd and 4th keyholes. Be sure that the open side of the drawer mounts are facing out. See Figure 3

**STEP 8**  
The Drawer Glides (J) must be separated before installing. Separate by fully extending the glides. Press the black lever down and pull the glide apart. See Figure 4.

**STEP 9**  
Attach the outer parts of the drawer glides to the Drawer Mounts (C) and the Drawer Mount Channel (D) by pushing in and back. See Figure 5.

**STEP 10**  
Place 3/8" Bottom Shelf Board (R) into place. Figure 3.