

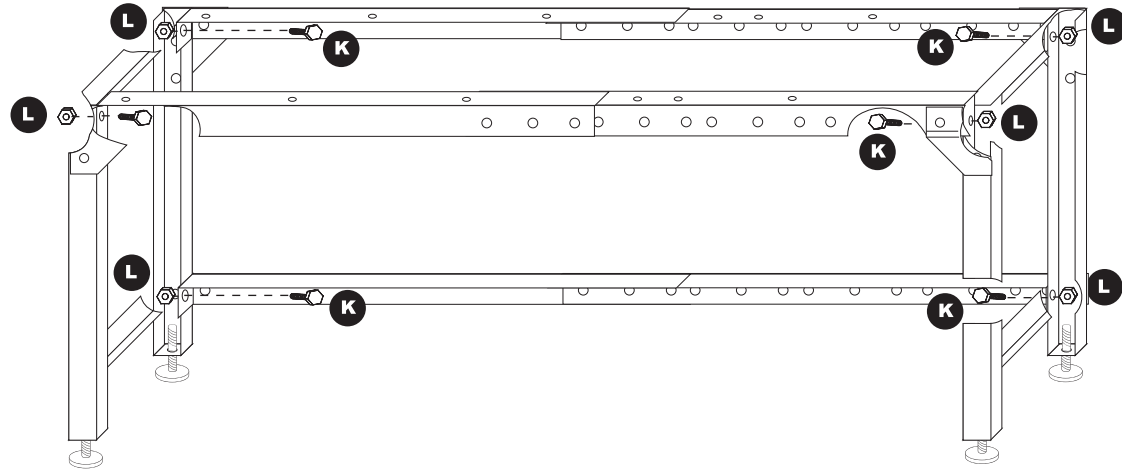
# Adjustable Workbench Frame

## SKU# 136-7420

Customer Service:  
Decko Products  
2301 Traffic St. NE  
Minneapolis, MN 55413  
1-800-495-9278

### Step 8 Assembly

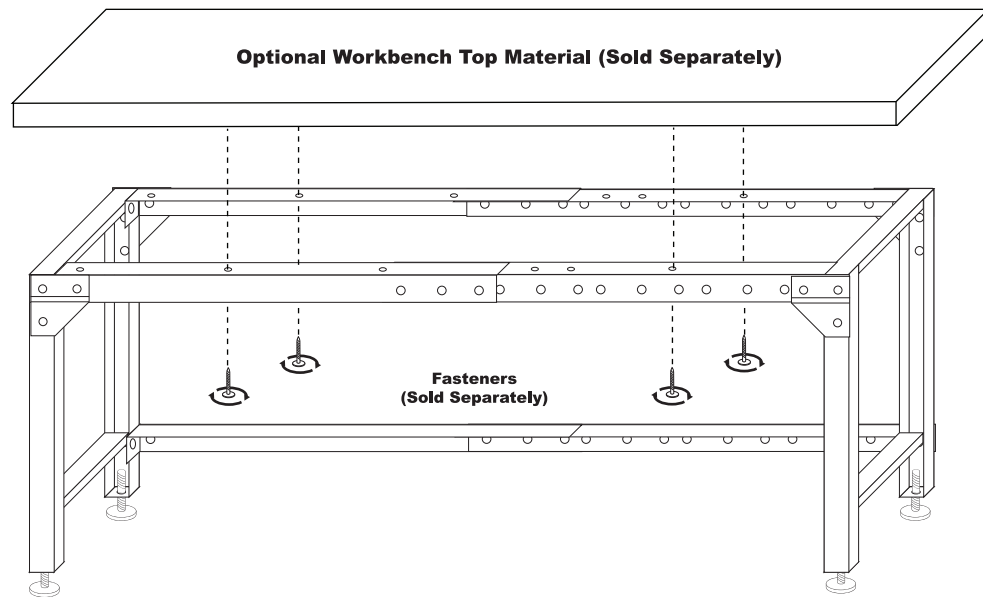
Secure all three cross beams as pictured using six bolts (K) and six nuts (L).



## TIGHTEN ALL HARDWARE

### Optional Workbench Top -NOT INCLUDED SOLD SEPARATELY

To fasten a work bench top (sold separately) screw four fasteners (sold separately) through the holes provided on the top cross beams into the bottom of a optional bench top material. Make sure that the screws do not go through the bench top. Tighten to secure.

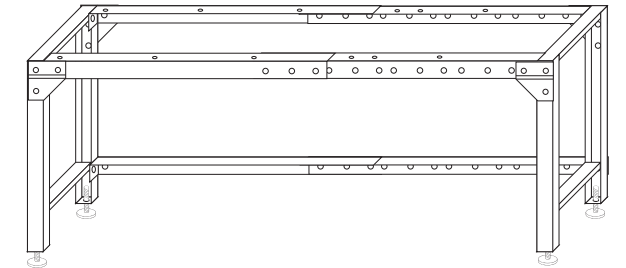


### Workbench Top Material Ideas

1. Hardwood
2. Laminate Counter Top
3. Plywood
4. Particle Board
5. Melamine

### WARNING

**NEVER** overload the workbench, the maximum evenly spread weight capacity, with attached optional top, is 500lbs. **NEVER** have a large unbalanced weight load of materials/supplies on the top of the workbench. **ALWAYS** use on a stable, level surface to prevent tipping. **NEVER** stand on the adjustable work bench or use as a device to stand or step on in any way or fashion. The above situations and any other misuse of this product can cause serious injury or may cause serious damage to personal property.



Thank You for your purchase of our product. The following contains assembly instructions as well as care and maintenance suggestions. Please take a moment to completely read and familiarize yourself with this information. If you have any questions regarding your purchase, please contact us at 1-800-495-9278

#### INSTRUCTIONS BEFORE USING IS PRODUCT!

1. **KEEP AWAY FROM CHILDREN:** Never allow children in a work area. Do not allow children to handle this product and any tools or equipment.
2. **STORAGE:** When not in use, always store in a dry location to resist rust. Always store in a secure location out of the reach of children.
3. **USE OF PRODUCT:** Never use inappropriate attachments or manipulate this Adjustable Work Bench in an attempt to exceed this Adjustable Work Bench capabilities. Inappropriate use or manipulation can cause serious injury and will void any and all warranties.
4. **DO NOT OVERREACH:** Keep proper footing and balance at all times" Never extend reach over or across tools or equipment.
7. **MAINTAIN WITH CARE:** Always keep Adjustable Work Bench clean and properly assembled for safe and proper performance.

#### Maintenance:

1. Occasionally tighten bolts to insure safe secure operation.
2. When necessary, clean with mild detergent and water, then dry off Adjustable Work Bench. Do not expose for prolonged periods to wet or corrosive conditions.
3. Cover and store Adjustable Work Bench in a dry, protected environment when not in use.

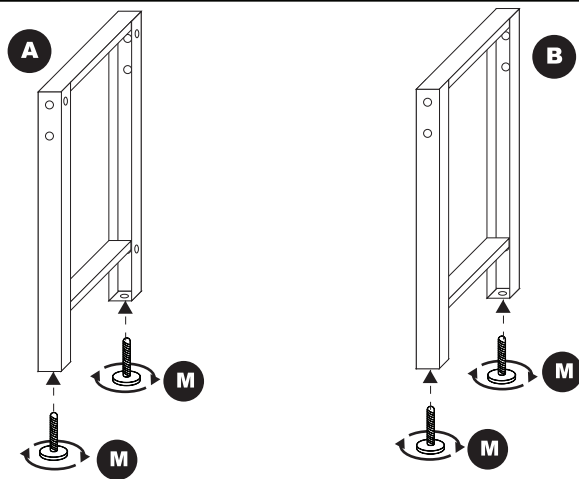
### Product Warranty

If, during normal use, this Xtreme Garage™ product breaks or fails due to a defect in materials or workmanship, simply return it to a Menards® retail store for a free replacement of the same or a similar Xtreme Garage™ product or part. This warranty excludes expendable parts, and normal wear and tear on finishes. This Warranty is void if used in Commercial and/or rental purposes. And does not cover any loss to property or injuries to persons or property or related costs. This Warranty does give you specific legal rights, and you may have other rights which vary from State to State.

### Adjustable Work Bench

 <b>A</b> Left Upright	 <b>C</b> Cross Beam	 <b>I</b> Cross Beam Bracket QTY: 2
	 <b>D</b> Cross Beam	 <b>J</b> Cross Beam Bracket QTY: 2
	 <b>E</b> Cross Beam	 <b>K</b> Bolt QTY: 29
	 <b>F</b> Cross Beam	 <b>L</b> Nut QTY: 29
 <b>B</b> Right Upright	 <b>G</b> Cross Beam	 <b>M</b> Leveling Feet QTY: 4
	 <b>H</b> Cross Beam	

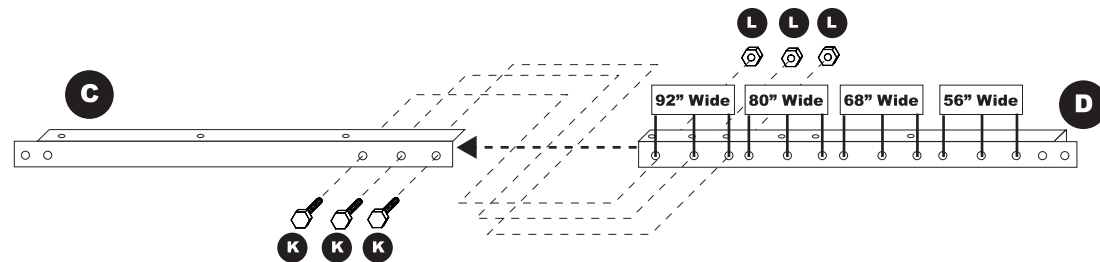
## Step 1 Assembly



Attach the four leveling feet (M) to the bottom of left upright (A) and right upright (B).

## Step 2 Assembly

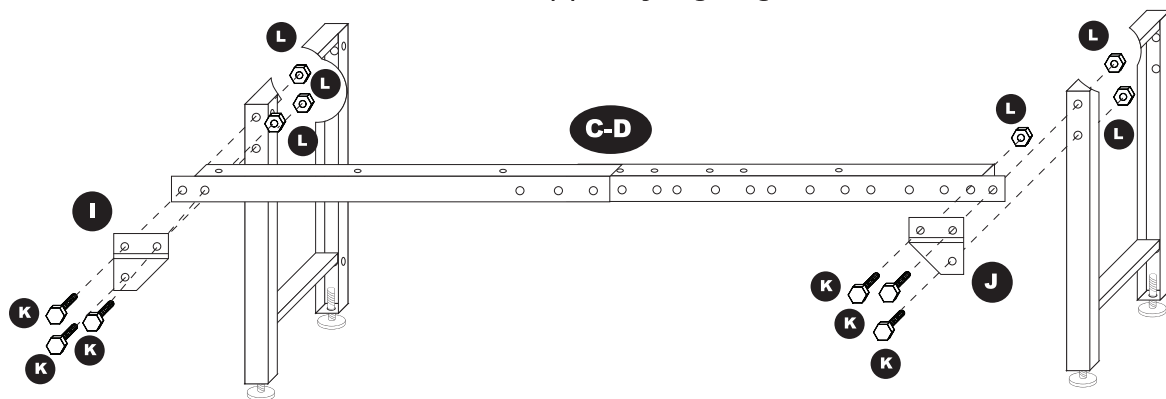
1. To set desired work bench width, slide the cross beam (D) into the cross beam (C). Line up the three holes on cross beam (C) with three holes cross beam (D). Use the picture below as reference for proper bolt placement.



2. Secure the cross beam (C) to cross beam (D) using three bolts (K) and 3 nuts (L). Only finger tighten at this time.

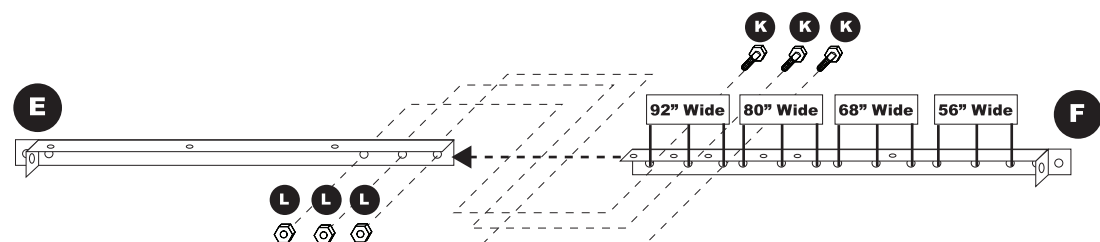
## Step 3 Assembly

Attach cross beam (C-D) to the left and right uprights (A)(B) using six bolts (K), six nuts (L), one cross beam bracket (I) and one cross beam bracket (J). Only finger tighten the hardware at this time.



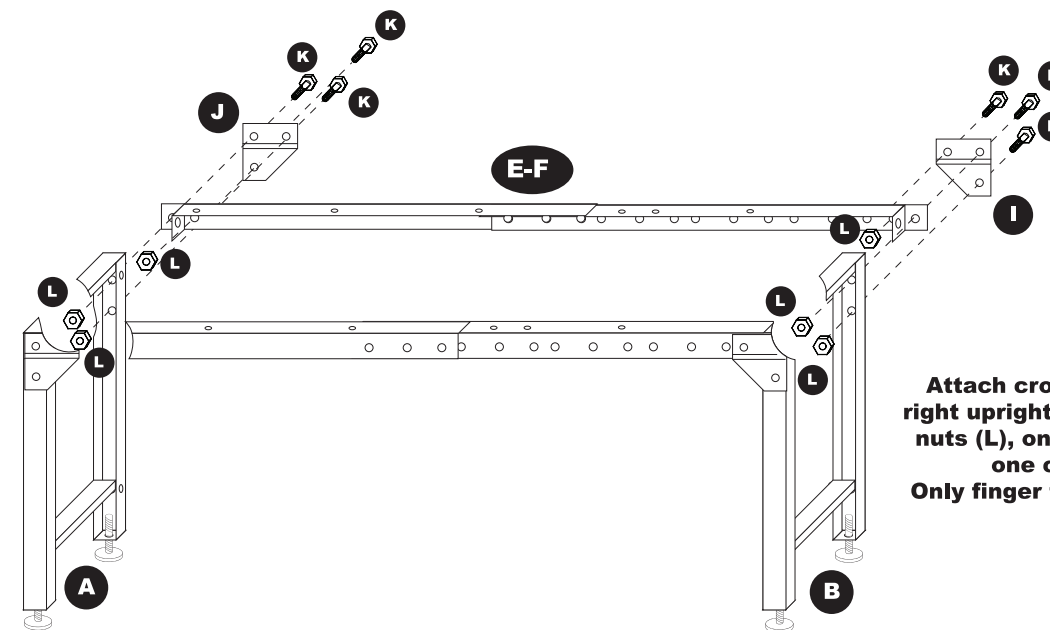
## Step 4 Assembly

1. Assemble cross beams (E & F) using the same measurement from step two. Slide the cross beam (F) into the cross beam (E). Line up the three holes on cross beam (E) with three holes cross beam (F). Use the picture below as reference for proper bolt placement.



2. Secure cross beam (E) to cross beam (F) using three bolts (K) and 3 nuts (L). Only finger tighten at this time.

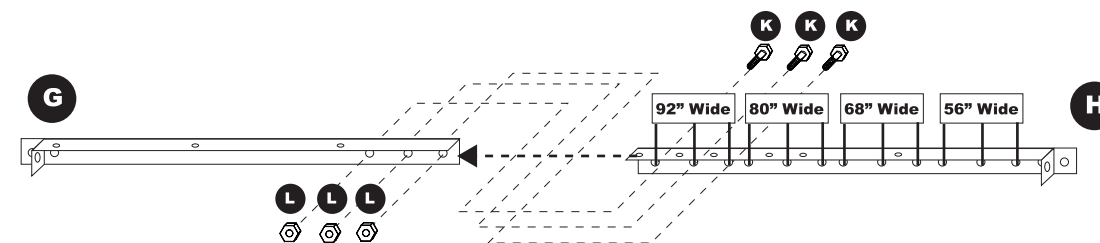
## Step 5 Assembly



Attach cross beam (E-F) to the left and right uprights (A)(B) using six bolts (K), six nuts (L), one cross beam bracket (I), and one cross beam bracket (J). Only finger tighten hardware at this time.

## Step 6 Assembly

1. Assemble cross beams (G & H) using the same measurement from step two and step four. Slide the cross beam (H) into the cross beam (G). Line up the three holes on cross beam (G) with three holes cross beam (H). Use the picture below as reference for proper bolt placement.



2. Secure cross beam (E) to cross beam (F) using three bolts (K) and 3 nuts (L). Only finger tighten at this time.

## Step 7 Assembly

Attach cross beam (G-H) to the left and right uprights (A)(B) using two bolts (K) and two nuts (L). Only finger tighten hardware at this time.

